

Motion detector - Professional Line

IS 345

DALI-2 APC - in-ceiling installation, rd.
EAN 4007841 080655
Article number 080655



infrared sensor
360°



max. 20 x 4 m



IP20



2 - 1000 lux



5 sec - 15 min



manual override



ideal 2,5 - 5 m

Teach

Teach mode



energy saving

5 years

manufacturer's
warranty steinel.de/
garantie

Function description

Huge reach. Infrared motion detector IS 345 for indoors and out, ideal for passageways, corridors and commonly used spaces, installation height 5 m, detection zone 12 x 6 m (radial) and 23 x 6 m (tangential). Available either in round or square surface-mounted and concealed version.

IS 345

DALI-2 APC - in-ceiling installation, rd.
 EAN 4007841 080655
 Article number 080655



Technical specifications

Dimensions (Ø x H)	124 x 121 mm	Optimum mounting height	2,8 m
Manufacturer's Warranty	5 years	Detection angle	Aisle, 360 °
Settings via	Remote control, Potentiometers, Smart Remote	Angle of aperture	45 °
With remote control	No	Sneak-by guard	Yes
Version	DALI-2 APC - in-ceiling installation, rd.	Capability of masking out individual segments	Yes
PU1, EAN	4007841080655	Electronic scalability	No
Type	Motion detectors	Mechanical scalability	No
Application, place	Indoors	Reach, radial	12 x 6 m (72 m ²)
Application, room	corridor / aisle, multi-storey / underground car park, Indoors	Reach, tangential	23 x 6 m (138 m ²)
Colour	white	Switching zones	280 switching zones
Colour, RAL	9003	Functions	Normal / test mode, Manual ON / ON-OFF, Constant-lighting control ON-OFF
Includes corner wall mount	No	Twilight setting	2 – 1000 lx
Installation site	ceiling	Time setting	5 s – 15 Min.
Package content	1	Basic light level function	Yes
Installation	In-ceiling installation, Ceiling	Basic light level function time	1-30 min, all night
IP-rating	IP20	Main light adjustable	50 - 100 %
Ambient temperature	from -20 up to 50 °C	Twilight setting TEACH	Yes
Material	Plastic	Constant-lighting control	Yes
Mains power supply	220 – 240 V / 50 – 60 Hz	Interconnection	Yes
Steuerausgang, Dali	Broadcast 1x30 electronic ballasts	Type of interconnection	Master/slave
Technology, sensors	passive infrared, Light sensor	Interconnection via	Cable
Mounting height	2,50 – 5,00 m	Product category	Motion detector
Mounting height max.	5,00 m		

Accessories

EAN 4007841 009151	Remote control Smart Remote
EAN 4007841 559410	Service remote control RC8
EAN 4007841 592806	User remote control RC5
EAN 4007841 056742	Black cover for IR-sensors concealed, rd.

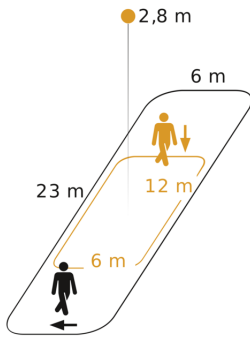
Optional system components

EAN 4007841 082109	Relais REL5A-DALI-2
--------------------	---------------------

IS 345

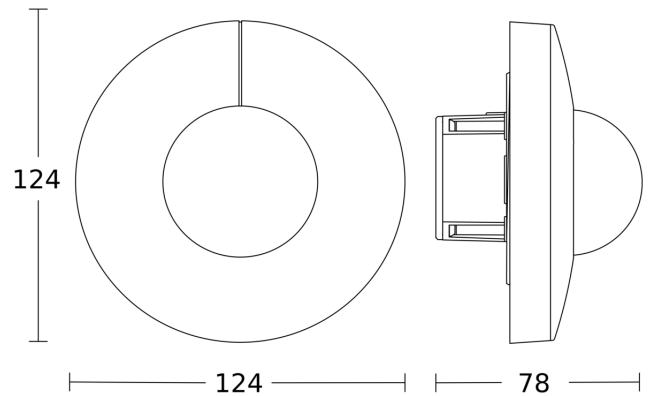
DALI-2 APC - in-ceiling installation, rd.
EAN 4007841 080655
Article number 080655

Detection Zone

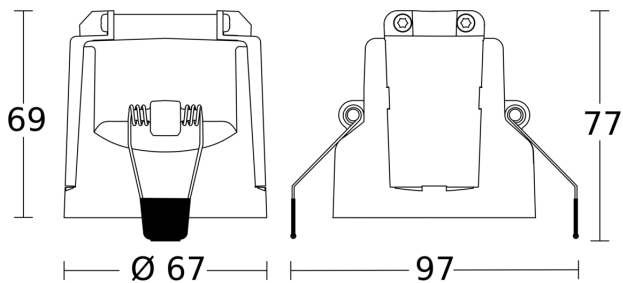


Possible mounting height: 2,50 m - 5,00 m
Orange: radial
Black: tangential

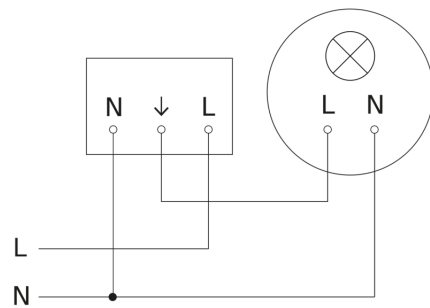
Dimension Drawing 1



Dimension Drawing 2



Master circuit diagram



IS 345

DALI-2 APC - in-ceiling installation, rd.
EAN 4007841 080655
Article number 080655

Master/slave interconnection circuit diagram

